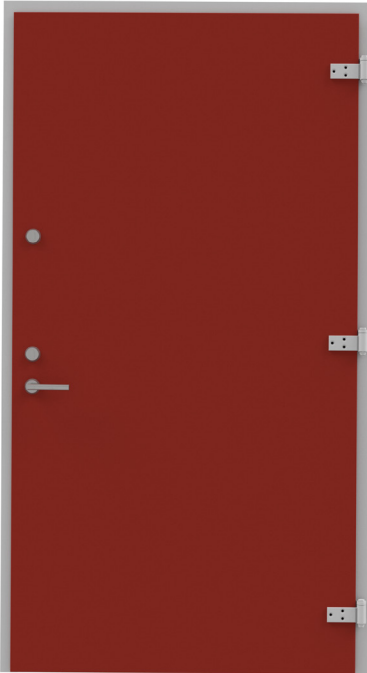




### RP150-SD5



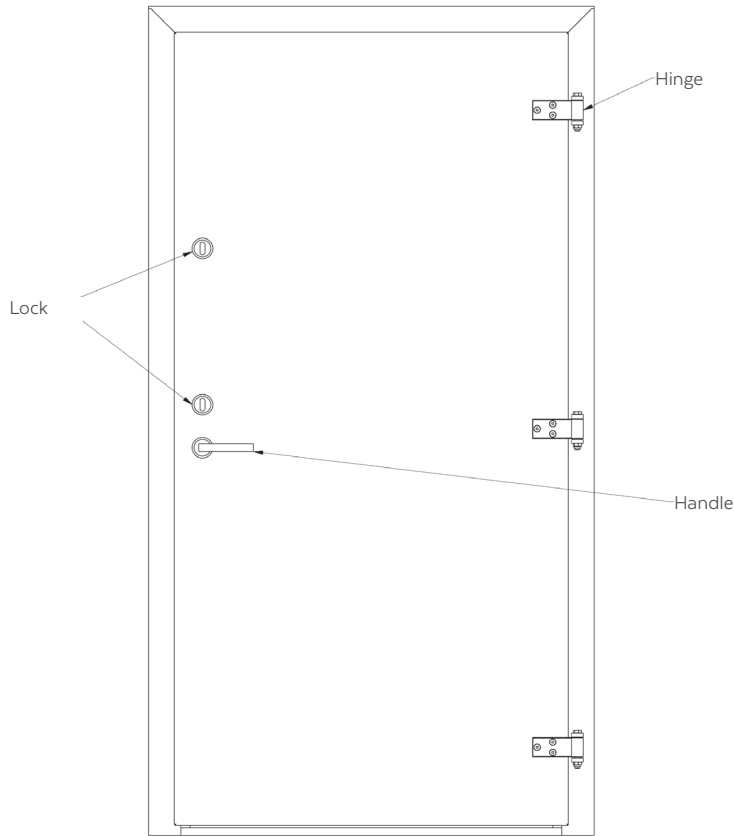
### Reinforced steel door BR RC 5 NS EN 1627

<b>Description</b>	The product is very robust and meets high user safety requirements. Insulated door panel construction with hinges in stainless steel and safety fixings (bolts).
<b>Frame and threshold</b>	Massive steel, fully welded frame, delivered with adjustable bushings and bolts for welded installation.
<b>Materials</b>	Carbon steel (for internal use) Galvanised steel (for external use) Stainless steel (for tough environments)
<b>Finishes</b>	Painted Primed and painted Stainless steel Stainless steel, painted
<b>Hardware</b>	Lock case, striking plates, door closers, shoot bolts, lead cover, etc. in accordance with certification licence.
<b>Door thickness</b>	59.0 mm
<b>Sheet thickness of door leaf</b>	2.0 mm
<b>Sheet thickness of door frame</b>	2.5 - 3.0 mm
<b>Insulation</b>	50.0 mm
<b>Weight</b>	approx. 125 kg/m <sup>2</sup>
<b>Fire rating</b>	Single leaf: A30, A60, A90, A120 Double leaf: A30
<b>Intrusion prevention</b>	BR RC 5 NS EN1627
<b>Bulletproofing</b>	The construction meets the requirements in FB4 NS-EN 1522 Can be upgraded to FB6 and FB7
<b>Acoustic properties</b>	Up to 39 dB
<b>Flexibility</b>	The products can be manufactured in the desired dimensions and fitted with, or adapted for, special fittings related to evacuations, break-ins, access control, etc. This will entail restrictions in relation to the individual certificates.
<b>Quality assurance</b>	In accordance with NS EN ISO 9001

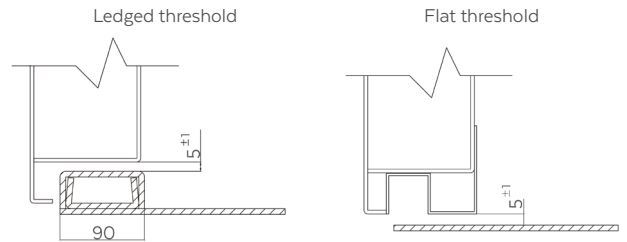


**RAPP  
BOMEK**

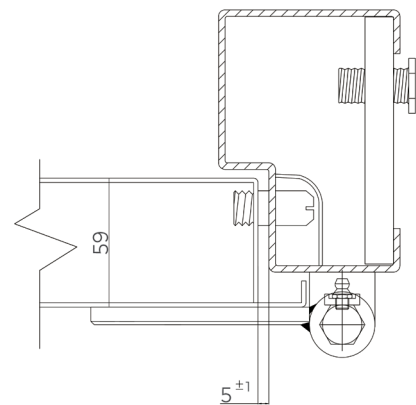
# SECURITY DOOR BR RC 5



## THRESHOLD TYPES

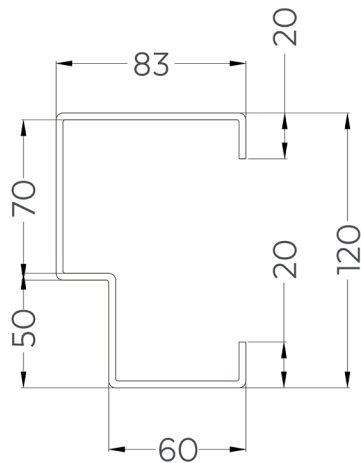


## HINGE IN DETAIL



## FRAME DETAILS

### C-IK FRAME



### A-IK FRAME

